

TASKMASTER

5100 SERIES

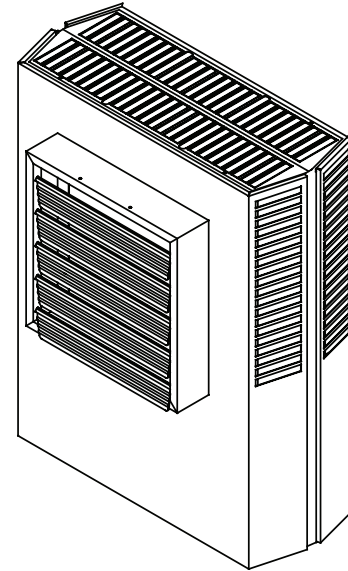
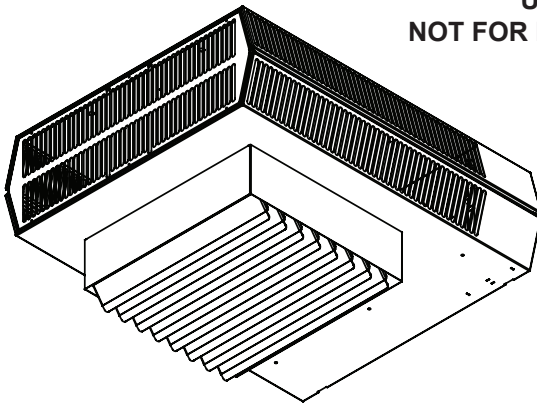
INSTALLATION INSTRUCTIONS & PARTS LIST



TPI Corporation
P.O. Box 4973
Johnson City, TN
37602-4973

America's Comfort Conditioning Company

Horizontal or Vertical Mounting
Industrial / Commercial
Unit Heater
NOT FOR RESIDENTIAL USE



ATTENTION: Read carefully before attempting to install, operate or service the TaskMaster Unit Heater. Retain these installation instructions for future use.

PRODUCT FEATURES

- Forced air electric unit heater available in 208, 240/208, 227, 480, 550 or 600 volt as standard.
- Ten standard heating capacities of 3.3 KW/11,260 BTUH thru 50.0 KW/170, 600 BTUH.
- 208 and 240/208 volt models are single phase field convertible to three phase on 3.3 thru 10.0 KW Models. (Single phase only available on 3.3, 5.0, 7.5 and 10 KW 277 volt models.
- Specially designed inlet louver allows the fan to pull cool air evenly across the high mass all-steel element.
- Outward drawn venturi and adjustable louver assembly further directs the outlet air in a uniform pattern to meet specific air pattern requirements in either the horizontal or vertical mounting position.
- Optional wall/ceiling or vertical mounting brackets (as required).
- Four position weld nuts supplied in case top and back for field mounting by threaded rods or eye bolt with chain. (Hardware supplied by others).
- Optional radial or anemostat diffusers lending air pattern versatility when mounted vertically.
- Modular control kits for field installation. Disconnect switch, thermostat, summer fan switch, heat recovery thermostat. All kits with spade terminals (Except disconnect switch).
- Single point terminal board wiring of integral control kits.
- 24 volt low voltage control circuit standard on all contactor and transformer models.
- Roomy control box with access door locked into position by two (2) 1/4 turn fasteners for ease of installation.

IMPORTANT: OWNER SHOULD RETAIN THESE INSTRUCTIONS FOR FUTURE REFERENCE

IMPORTANT INSTRUCTIONS

When using electrical appliances, basic precautions should always be followed to reduce the risk of fire, electrical shock, and injury to persons, including the following:

1. Read all instructions before using this heater.
2. **CAUTION:** High temperatures. Keep cords and all other combustible material, such as furniture, papers, clothes and curtains away from the heater. For safe and efficient operation, keep an open space around heater of three feet in front and 12 inches at ends and rear.

ATTENTION: Les températures élevées. Gardez les cordons et tout autre matériau combustible, tels que les meubles, papiers, vêtements et rideaux à l'extérieur de l'appareil de chauffage. Pour un fonctionnement sûr et efficace, garder un espace ouvert autour de chauffage de trois pieds à l'avant et 12 pouces aux extrémités et à l'arrière.
3. Extreme caution is necessary when any heater is used by or near children or invalids and whenever the heater is left operating and unattended.
4. Do not operate any heater after it malfunctions, has been dropped or damaged in any manner. Return heater to authorized service facility for examination, electrical or mechanical adjustment, or repair.
5. Do not use outdoors.
6. To disconnect heater, turn controls to off, and turn off power to heater circuit at main disconnect panel (or operate internal disconnect switch if provided).
7. Do not insert or allow foreign objects to enter any ventilation or exhaust opening as this may cause an electric shock or fire, or damage the heater.
8. To prevent a possible fire, do not block air intakes or exhaust in any manner.
9. A heater has hot and arcing or sparking parts inside. **WARNING: Do not use it in area where gasoline, paint, or flammable liquids are used or stored.**
10. Use this heater only as described in this manual. Any other use not recommended by the manufacturer may cause fire, electric shock, or injury to persons.
11. This heater may include an audible or visual alarm to warn that parts of the heater are getting excessively hot. If the alarm sounds (or illuminates), immediately turn the heater off and inspect for any objects on or adjacent to the heater that may have blocked the airflow or otherwise caused high temperatures to have occurred.
DO NOT OPERATE THE HEATER WITH THE ALARM SOUNDING (OR ILLUMINATING)

12. SAVE THESE INSTRUCTIONS

Maintenance:

Caution: Make certain that the power source is disconnected before attempting to service or disassemble any component. If the power disconnect is out of the line of sight, lock it in the OPEN position and tag to prevent the application of power. Make sure the heater has cooled enough to safely handle.

Electrical:

Once a year inspect the control panel wiring to make certain insulation is intact and all connections are tight. Inspect all heater and relay contacts. If the contacts appear badly pitted or burned, replace the contactor/relay.

Cleaning:

Clean the unit casing, fan and motor once a year. A dirty motor will tend to run hot and eventually will be damaged internally. Use the crevice tool on a vacuum cleaner or a clean cloth to clear dust and dirt. Any rust spots on the casing should be cleaned and repainted.

Lubrication:

All units have fan motors that are permanently lubricated so that only occasional cleaning is required.

PROPER LOCATION INSTRUCTIONS

Once the total heating load is calculated, the quantity and capacity of the unit heaters must be determined. because a large number of low-capacity heaters provides more uniform heat distribution. This approach is recommended when the area will be occupied by a relatively large number of sedentary personnel, (i.e. working on production lines and at benches.)

A large number of smaller capacity unit heaters tends to prevent hot drafts, reduces noise levels, and increases diversity of load to help reduce electrical demand and operating costs.

In warehouses where even heat distribution and constant temperatures are less important, a smaller number of high capacity units can be used -- in many cases reducing installation cost. To maintain reasonable heat distribution and reduce severe stratification even in lower bay areas, the total air volume of the space should pass through the unit heaters about three times per hour. (Take total cubic feet and divide by 20 in order to determine proper total heater CFM rating.)

It is important that the rated voltage of the heating equipment match the supply voltage. Supply voltage in excess of the heater rated voltage can damage equipment. Supply voltage lower than the rated heater voltage will decrease heater output as well as run the risk of damaging some components.

Horizontal unit heaters are recommended in low bay areas with maximum 15 to 18 foot ceilings. These should be concentrated along outside wall or other areas of greatest heat loss; spaced to set up a generally circular air movement, each heater supporting the air stream of the other. Additional vertical down below unit heaters with appropriate accessory diffusers can be located to counteract ceiling heat losses (see Figure 1 Location charts).

GENERAL SAFETY INFORMATION / CAUTION:

Follow all local electrical and safety codes, as well as the National Electrical Code (NEC) and the Occupational Safety and Health Act (OSHA).

To avoid possible electrical shock, be sure the electrical current is turned off at the main switch prior to wiring or servicing of unit.

If the power disconnect is not integral and is out-of-sight, lock it in the open position and tag to prevent unexpected application of power prior to performing any service or maintenance of the unit.

The unit when installed must be electrically grounded in accordance with the National Electrical Code and standard industry practice.

Make certain that the power source conforms to the requirements of your equipment. See Table 2 on page 6 for wire and circuit size

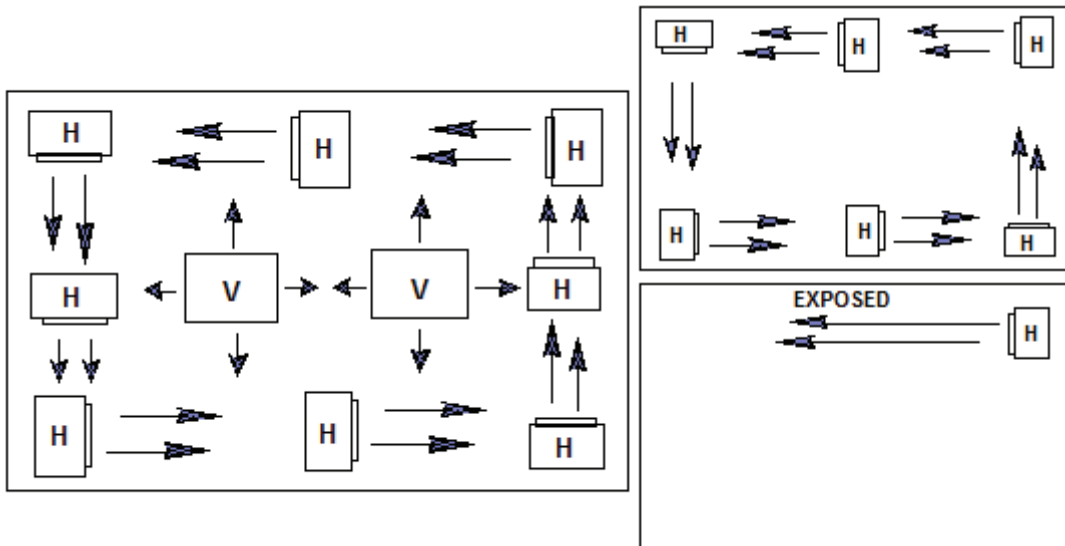
Check heater voltage and phase on rating label to confirm that it matches the electric service supply.

Wiring diagrams of the heater and supply connections are permanently attached to the inside of the heater access door. All terminals are coded in accordance with the wiring diagram. Accessory wiring are shown on the unit wiring diagram and supporting literature.

The heater must be mounted at least 7' above the floor to prevent accidental contact with the fan blade which could cause injury. Install unit so there are no obstructions to the intake or discharge. Maintain clearances as shown on Table 1, 2, Fig. 1 & 2.

The wall/ceiling mounting structure and anchoring provisions must be on sufficient strength to support the combined weight of the heater and mounting bracket.

Figure 1



PRINCIPLES OF OPERATION

Upon a call for heat from the floor level or unit mounted optional accessory thermostat, the unit fan motor and heating elements shall be energized and remain ON until temperature reaches setting of thermostat; at which time the heating elements shall be deenergized.

The fan motor shall continue to run and purge heater casing of residual heat until setting of fan override is reached, then the fan motor shall be deenergized.

For those units with a factory installed two speed fan switch (25-50KW), the unit as shipped from the factory is set to "low" speed. Customer option to set to "high" speed. For those units available with subdivided circuits, the accessory two stage thermostat (optional) will, upon a call for heat, energize fan motor and the first stage heating element. Should temperature continue to fall, the thermostat shall energize the second stage heating element.

Upon a rise in space conditions towards setting of the thermostat, the two stages of heating elements shall be deenergized in reverse sequence.

The fan motor shall continue to run and purge heater casing of residual heat until setting of fan override is reached, then the fan motor shall be deenergized.

The accessory unit mounted stratification thermostat will energize the unit heater fan motor upon a rise in temperature above its setting.

When the unit mounted stratification thermostat closes on a temperature rise and at the same time the floor thermostat calls for heat, the motor shall be energized immediately and the heating element shall be energized, as previously described.

The automatic reset safety high limit shall deenergize the heating elements and control circuits should the temperature exceed the setting of this device. The fan safety override shall energize fan motor any time the setting of this device is exceeded so as to purge heater casing of excess residual heat.

When the accessory fan switch is placed in the ON position (for summer air circulation), the unit heater fan motor shall be energized.

NOTE: The wall thermostat is to be set to the OFF position during this mode of operation (units with contactors).

For those accessory thermostats equipped with an integral fan switch, place the switch in the HEAT, or AUTO position for operation of the fan and elements which shall then be under control of the thermostat as described above.

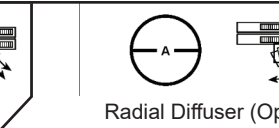
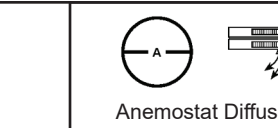
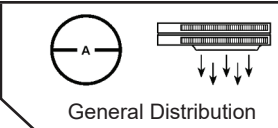
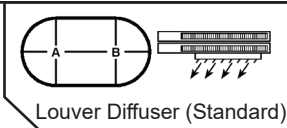
When switch is placed in the OFF position, the unit shall be deenergized. When switch is placed in the FAN position, elements shall be deenergized and fan shall be immediately energized.

VERTICAL DISCHARGE UNITS - AIR PATTERNS

USED ON	MAX MTG. HEIGHT	A	B	STOCK NO.	MAX MTG. HEIGHT	A	MAX MTG. HEIGHT	A	STOCK NO.	STOCK NO.	MAX MTG. HEIGHT			
											A			
											45°	OPEN	45°	OPEN
3.3 & 5.0 Kw	9	20	10	STD	9	15	--	--	N/A	N/A	--	--	--	--
7.5 & 10.0 Kw	12	40	22	STD	12	30	10	30	AD5120	RD5120	0	14	36	30
15.0 & 20.0 Kw	18	52	30	STD	18	40	15	38	AD5120	RD5120	14	21	42	35
25.0 & 30.0 Kw	22	75	42	STD	22	55	17	50	AD5150	RD5150	20	30	62	44
40.0 & 50.0 Kw	24	84	47	STD	24	64	20	60	AD5150	RD5150	18	28	68	54

STD = Standard N/A = Not Applicable

Optional diffusers lend added air pattern versatility to individual vertical down blow installations as shown in above illustrations.



INSTALLATION INSTRUCTIONS

TASKMASTER -- 5100 SERIES UNIT HEATER

ATTENTION: READ INSTRUCTION CAREFULLY

All electric unit heaters are shipped fully assembled. Installation includes hanging the unit, mounting the built-in and remote accessories, wiring of optional control devices, and electrical wiring to the unit.

To insure proper delivery of the heated air to desired areas, follow the mounting height and air projection tables include in these instructions. Follow Fig. 1 & 2 for minimum wall and ceiling clearances.

Heaters may be mounted in the horizontal or vertical air discharge configuration using factory optional supplied accessory mounting equipment or using special hardware facilities supplied by others.

After the installation is complete, replace the access panel.

Set the controls (thermostat, switch) at their desired control point and apply power to the unit.

Check correct operation.

MOUNTING
CLEARANCE

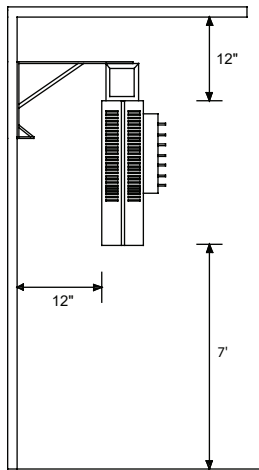


FIG. 1
HORIZONTAL DISCHARGE

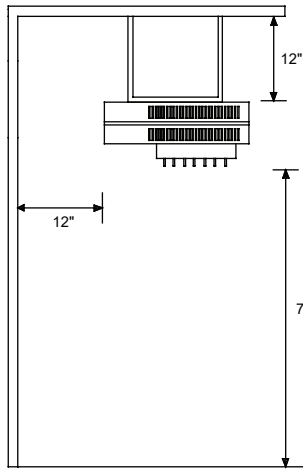
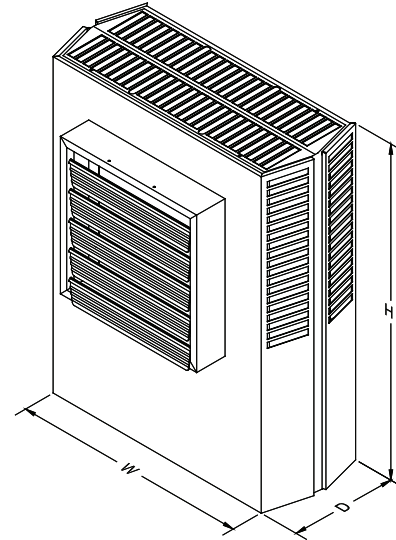


FIG. 2
VERTICAL DISCHARGE

DIMENSIONS



DIMENSIONS (INCHES)			
Kw	H	W	D
3.3-5.0	17-3/4	14-15/32	6-1/2
7.5-10	24-5/16	21-1/2	6-1/2
15.0-20	28-11/16	21-1/2	6-1/2
25.0-50	34	29-1/4	10-1/16

The wall and/or ceiling structure must be sufficient to support the combined weight of the heater and any mounting bracket and accessories.

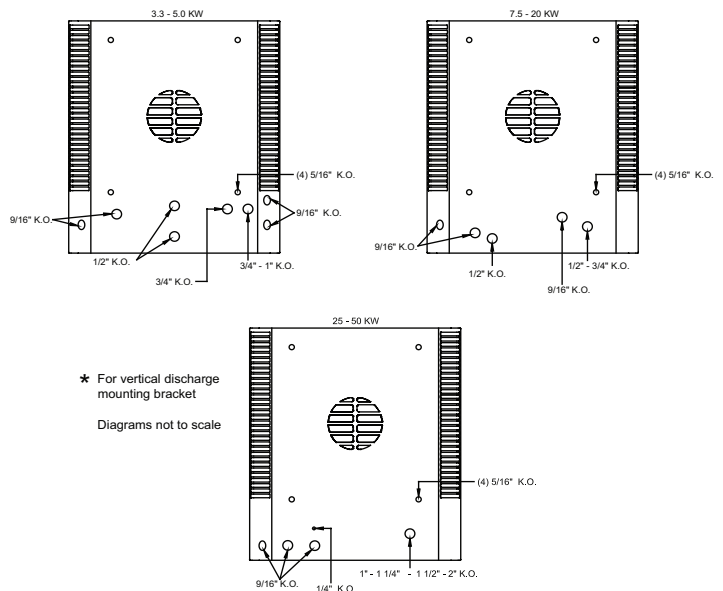
Be sure power source is deenergized before installing heater. Check heater voltage and phase listed on heater date tape on back of unit to make sure they are the same as the electrical service supplied.

Certain units are convertible from single to three phase service. Follow instructions noted on the unit wiring diagram for this conversion. Units that carry a dual voltage rating (HF) require specific wiring changes when converting from 240 to 208 volt service supplied.

Open the access panel (2 1/4 turn fasteners).

Remove the desired knock-out(s) on back of the heater.

Install any optional accessories following their installation instructions before mounting unit. Following the correct unit/accessory wiring diagram, connect the power supply, electrical ground and accessories to the correct terminals or termination points using accepted practices.



* For vertical discharge mounting bracket
Diagrams not to scale

NET JUNCTION BOX VOLUME		
Kw	CUBIC INCHES	CC
3.3-5	74.4	1219
7.5-10	19.8	3245
15.0-20	19.8	3245
25.0-50	34.1	5592

INSTALLATION INSTRUCTIONS

TASKMASTER -- 5100 SERIES UNIT HEATER (part 2)

HORIZONTAL -- AIR DISCHARGE MOUNTING

SHOWN IN: FIGURE 5 & 6

Swivel hanger brackets may be used to suspend unit heaters from either the wall (figure 5) or the ceiling (figure 6). Attach hanger base "A" to top of heater with the four 5/16 X 18 caps screws and lockwashers (provided in envelope).

Attach main hanger frame "B" to wall or ceiling in desired location using lag screws "C" or other suitable attachments (supplied by others).

Lift heater into position inserting stud "D" through hole in main hanger frame and attach lock nut "provided in envelope" "E" tightening to within two turns of being tight.

Swivel heater to desired position, tighten lock nut.

VERTICAL -- AIR DISCHARGE MOUNTING

Figure 5
WALL MOUNT
HORIZONTAL DISCHARGE

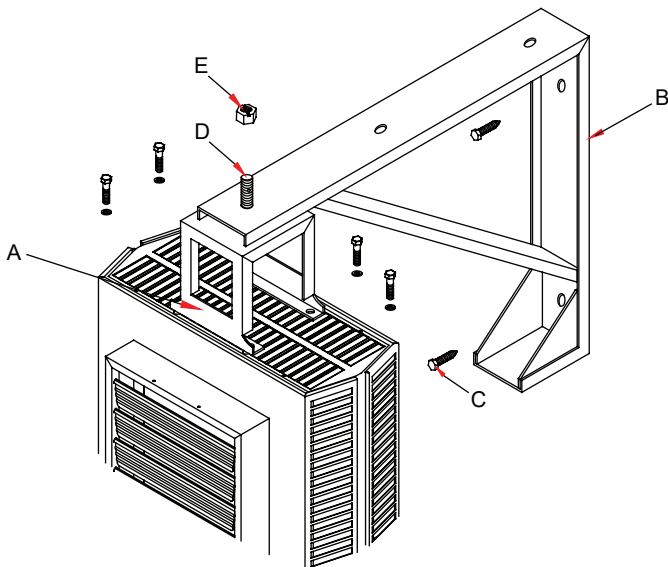
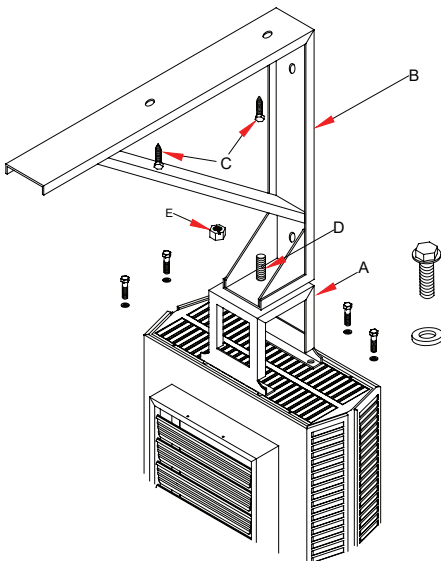


Figure 6
CEILING MOUNT
HORIZONTAL DISCHARGE



SHOWN IN: FIGURE 7

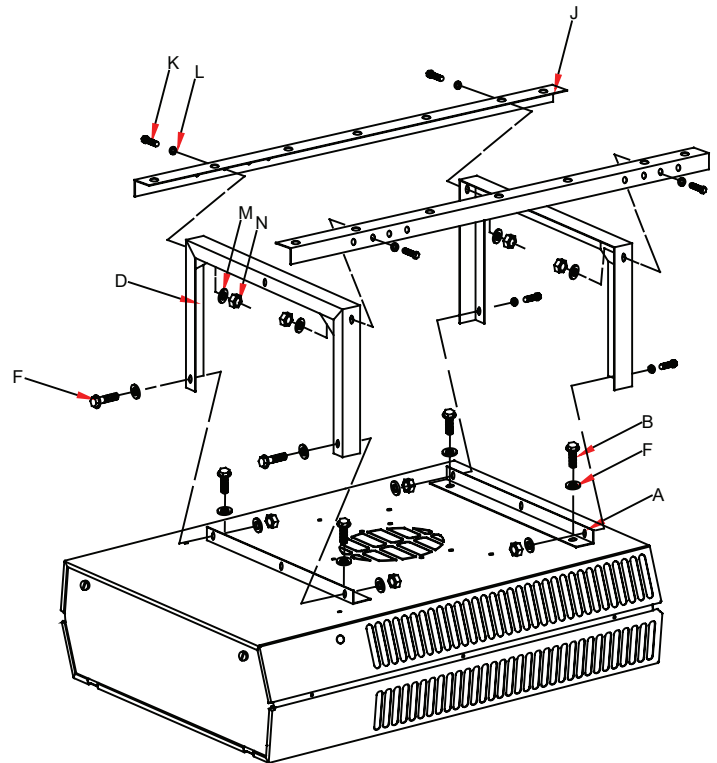
Attach short angle brackets "A" to back of heater with four 5/16 X 18 capscrews "B", lockwashers "F". Be sure vertical leg of angle brackets face top and bottom of heater.

Attach inverted U frames "D" to short angle brackets with four 5/16 X 18 capscrews "K", washers "L", lockwashers "M" and nuts "N".

Attach long angle brackets "J" to inverted frames "D" with four 5/16 X 18 capscrews "K", washers "L", lockwashers "M" and nuts "N".

Attach heater and bracket assembly to ceiling in desired location using customer supplied equipment sufficient to support the assembly.

Figure 7
CEILING MOUNT
VERTICAL DISCHARGE



NOTE: When mounting heater using 5/16" all thread rod (by others) do not screw the rod more than 1/2" beyond the inside of the case.

5100 SERIES UNIT HEATER ELECTRICAL DATA (Table 2)

Catalog Number	Kw	BTU/HR (000)	HEATER/MOTOR VOLTAGE	HEATER PHASE	CONTROL VOLTAGE	AMPS PER PHASE	BRANCH PROTECTION SIZE (A)	SUPPLY SIZE SIZE 60°C AWG. **
F1F5103 5103NF1F	3.3	11.2	208	1	208	15.9	20	12
F2F5103 5103NF2F	3.3	11.2	208	1 3	208	15.9 9.2	20 15	12 14
HF1B5103 5103NHF1B	3.3/2.5	11.2/8.5	240/208	1	240/208	13.7/11.9	20/15	12/14
HF2B5103 5103NHF2B	3.3/2.5	11.2/8.5	240/208	1 3	240/208	13.7/11.9 7.9/6.9	20/15 10/10	12/14 14/14
G1G5103 5103NG1G P3P5103CA1 5103CA1NP3P	3.3	11.2	277 277 480 480	1 1 3 3	277 277 24 24	11.9 11.9 4.0 4.0	15	14
F1F5105 5105NF1F	5.0	17.1	208	1	208	24.1	35	8
F2F5105 5105NF2F	5.0	17.1 17.1	208	1 3	208	24.1 13.1	35 20	8 12
HF1B5105 5105NHF1B	5.0/3.7	17.1/12.8	240/208	1	240/208	20.9/18.1	30/25	10/10
HF2B5105 5105NHF2B	5.0/3.7	17.1/12.8	240/208	1 3	240/208	20.9/18.1 12.1/10.4	30/25 20/15	10/10 12/14
G1G5105 5105NG1G P3P5105CA1 5105CA1NP3P	5.0	17.1	277 277 480 480	1 1 3 3	277 277 24 24	18.1 18.1 6.1 6.1	25 25 15 15	10 10 14 14
F2F5107CA1 5107CA1LF2F	7.5	25.6	208	1 3	24	36.1 20.8	50 30	6 10
HF2B5107CA1 5107CA1LHF2B	7.5/5.6	25.6/19.2	240/208	1 3	24	31.3/27.1 18.1/15.6	40/35 25/20	8/8 10/12
G1G5107CA1 5107CA1LG1G P3P5107CA1 5107CA1NP3P	7.5	25.6	277 277 480 480	1 1 3 3	24	27.1 27.1 9.1 9.1	35 35 15 15	8 8 14 14
F2F5110CA1 5110CA1LF2F	9.9	33.8	208 208	1 3	24	47.8 27.8	60 35	4 8
HF2B5110CA1 5110CA1LHF2B	10.0/7.5	34.1/25.6	240/208	1 3	24	41.6/36.1 24/20.8	60/50 30/30	4/6 8/10
G1G5110CA1 5110CA1LG1G P3P5110CA1 5110CA1NP3P	10.0	34.1	277 277 480 480	1 1 3 3	24	36.1 36.1 12.1 12.1	50 50 20 20	6 6 12 12
F3F5115CA1 5115CA1LF3F HF3B5115CA1 5115CA1LHF3B P3P5115CA1 5115CA1NP3P	15.0 15.0 15.0/11.2 15.0/11.2 15.0 15.0	51.2 51.2 51.2/38.4 51.2/38.4 51.2 51.2	208 208 240/208 240/208 480 480	3	24	41.7 41.7 36.1/31.3 36.1/31.3 18.1 18.1	60 60 50/40 50/40 25 25	4 4 6/8 6/8 10 10
HF3B5120CA1 5120CAILHF3B P3P5120CA1 5120CA1NP3P	19.5/14.6 19.5/14.6 20.0 20.0	67.2/50.5 67.2/50.5 68.3 68.3	240/208 240/208 480 480	3	24	47.8/41.1 47.8/41.1 24.1 24.1	60/60 60/60 35 35	4/6 4/6 8 8
F3F5125CA1 5125CA1LF3F HF3B5125CA1 5125CA1LHF3B P3P5125CA1 5125CA1NP3P	25.0 25.0 25.0/18.7 25.0/18.7 25.0 25.0	85.3 85.3 85.3/64.0 85.3/64.0 85.3 85.3	208 208 240/208 240/208 480 480	3	24	69.5 69.5 60.2/52.1 60.2/52.1 30.1 30.1	90 90 80/70 80/70 40 40	2 2 3/4 3/4 8 8

* Use 75 degree C Wire **Use Copper Conductors on all heaters

***This unit (only) built in 7.5 & 10KW case size.

5100 SERIES UNIT HEATER ELECTRICAL DATA (Table 2) CON'T.

Catalog Number	Kw	BTU/HR (000)	HEATER/MOTOR VOLTAGE	HEATER PHASE	CONTROL VOLTAGE	AMPS PER PHASE	BRANCH PROTECTION SIZE (A)	SUPPLY SIZE 60°C AWG. **
F3F5130CA1	30.0	102.4	208			83.4	110	2*
5130CA1LF3F	30.0	102.4	208			83.4	110	2*
HF3B5130CA1	30.0/22.5	102.4/76.8	208/240	3	24	72.3/62.5	100/80	2/3
5130CA1LHF3B	30.0/22.5	102.4/76.8	208/240			72.3/62.5	100/80	2/3
P3P5130CA1	30.0	102.4	480			36.2	50	6
5130CA1NP3P	30.0	102.4	480			36.2	50	6
F3F5140CA1	40.0	136.5	208			111.2	150	1/0*
5140CA1LF3F	40.0	136.5	208			111.2	150	1/0*
HF3B5140CA1	40.0/30.0	136.5/102.4	240/208	3	24	96.4/83.4	125/110	1*/2*
5140CA1LHF3B	40.0/30.0	136.5/102.4	240/208			96.4/83.4	125/110	1*/2*
P3P5140CA1	39.0	133.1	480			47.0	60	4
5140CA1NP3P	39.0	133.1	480			47.0	60	4
F3F5150CA1	49.6	169.9	208			139.0	175	2/0*
5150CA1LF3F	49.6	169.9	208			139.0	175	2/0*
HF3B5150CA1	50.0/37.5	170.6/128.0	240/208	3	24	120.5/104.3	175/150	2/0* 1/0*
5150CA1LHF3B	50.0/37.5	170.6/128.0	240/208			120.5/104.3	175/150	2/0* 1/0*
P3P5150CA1	50.0	170.6	480			60.3	80	3
5150CA1NP3P	50.0	170.6	480			60.3	80	3
U3H105CA4***	5.0	17.1				5.1		
U3H5107CA4	7.5	25.6	600/240	3	240	7.7	15	14
U3H5110CA4	10.0	34.1				10.2		
U3H5115CA4	15.0	51.2				15.5	20	12
U3H5120CA4	20.0	68.3	600/240	3	240	20.3	25	10
U3H5125CA4	25.0	85.3				24.5	35	8
U3H5130CA4	30.0	102.4				29.4	40	8
U3H5140CA4	40.0	136.5	600/240	3	240	39.8	50	6
U3H5150CA4	50.0	170.7				49.4	60	4
T3H5105CA4N	5.0	17.1				5.25		
T3H5107CA4N	7.5	25.6	550/240	3	240	7.88	15	14
T3H5110CA4N	10.0	33.8				10.5		
T3H5115CA4N	15.0	51.2	550/240		240	15.76	20	12
T3H5120CA4N	20.0	68.3	550/240	3	240	21.1	30	10
T3T5125CA4N	25.0	85.3	550		24	26.3	35	8
T3T5130CA4N	30.0	102.4				31.5	40	8
T3T5140CA4N	40.0	136.5	550	3	24	42	60	4
T3T5150CA4N	50.0	170.6				52.55	70	4

* Use 75 degree C Wire **Use Copper Conductors on all heaters

***This unit (only) built in 7.5 & 10KW case size.

5100 SERIES UNIT HEATER

AIR DELIVERY DATA			FAN MOTOR DATA					
CFM at OUTLET	FRM at OUTLET	TEMPERATURE RISE °F	HP	MOTOR RPM	MAX. MTG.		AIR THROW HORIZONTAL	WEIGHT LBS.
					HORIZONTAL	VERTICAL		
400	1030	26	1/125	1550	9	9	12 Ft.	25
400	1030	26	1/125	1550	9	9	12 Ft.	25
400	1030	26	1/125	1550	9	9	12 Ft.	25
400	1030	26	1/125	1550	9	9	12 Ft.	25
400	1030	26	1/125	1550	9	9	12 Ft.	25
400	1030	26	1/125	1550	9	9	12 Ft.	27
400	1030	40	1/125	1550	9	9	12 Ft.	25
400	1030	40	1/125	1550	9	9	12 Ft.	25
400	1030	40	1/125	1550	9	9	12 Ft.	25
400	1030	40	1/125	1550	9	9	12 Ft.	25
400	1030	40	1/125	1550	9	9	12 Ft.	25
400	1030	40	1/125	1550	9	9	12 Ft.	27
700	1000	34	1/50	1550	10	12	22 Ft.	50
700	1000	34	1/50	1550	10	12	22 Ft.	50
700	1000	34	1/50	1550	10	12	22 Ft.	50
700	1000	45	1/50	1550	10	14	22 Ft.	50
700	1000	45	1/50	1550	10	14	22 Ft.	50
700	1000	45	1/50	1550	10	14	22 Ft.	50
700	1000	45	1/50	1550	10	14	22 Ft.	50
700	1000	45	1/50	1550	10	14	22 Ft.	50
700	1000	45	1/50	1550	10	20	22 Ft.	50
1100	1580	43	1/20	1550	11	20	32 Ft.	65
1100	1580	43	1/20	1550	11	20	32 Ft.	65
1100	1580	43	1/20	1550	11	20	32 Ft.	65
1100	1580	43	1/20	1550	11	20	32 Ft.	65
1100	1580	57	1/20	1550	11	20	32 Ft.	65
1100	1580	57	1/20	1550	11	20	32 Ft.	65
2000/1800	1300/1100	40/44	1/12	1550/1250	12	22	45 Ft.	120
2000/1800	1300/1000	40/44	1/12	1550/1250	12	22	45 Ft.	120
2000/1800	1300/1000	40/44	1/15	1550/1250	12	22	45 Ft.	120
2000/1800	1300/1100	47/53	1/12	1550/1250	12	20	45 Ft.	120
2000/1800	1300/1000	47/53	1/12	1550/1250	12	20	45 Ft.	120
2000/1800	1300/1000	47/53	1/15	1550/1250	12	20	45 Ft.	120
3100/2800	2000/1800	40/45	1/4	1550/1310	15	25	55 Ft.	120
3100/2800	2000/1800	40/45	1/4	1550/1310	15	25	55 Ft.	120
3100/2800	2000/1800	40/45	1/4	1550/1310	15	25	55 Ft.	120
3100/2800	2000/1800	51/56	1/4	1550/1310	15	22	50 Ft.	120
3100/2800	2000/1800	51/56	1/4	1550/1310	15	22	50 Ft.	120
3100/2800	2000/1800	51/56	1/4	1550/1310	15	22	50 Ft.	120
558	929	30	1/125	1300	9	9	12 Ft.	50
700	1000	34	1/50	1550	10	12	22 Ft.	50
700	1000	45	1/50	1550	10	14	22 Ft.	50
1100	1580	43	1/20	1550	11	20	32 Ft.	65
1100	1580	43	1/20	1550	11	20	32 Ft.	65
2000/1800	1300/1100	40/44	1/12	1550/1250	12	22	45 Ft.	120
2000/1800	1300/1100	47/53	1/12	1550/1250	12	22	40 Ft.	120
3100/2800	2000/1800	40/45	1/4	1550/1310	15	25	55 Ft.	120
3100/2800	2000/1800	51/56	1/4	1550/1310	15	22	50 Ft.	120
680	971	25.1	1/125	1300	9	9	12 Ft.	50
680	971	37.6	1/50	1550	10	12	22 Ft.	50
680	971	50.2	1/50	1550	10	14	22 Ft.	50
1080	1542	47.4	1/20	1550	11	20	32 Ft.	65
1080	1542	63.2	1/20	1550	12	18	37 Ft.	65
1980/1780	1290/1150	43/48	1/12	1550/125	12	22	45 Ft.	120
1980/1780	1290/1150	52/58	1/12	1550/125	12	20	40 Ft.	120
2900/2650	1870/1160	47/52	1/4	1550/131	15	25	55 Ft.	120
2900/2660	1870/1160	59/66	1/4	1550/131	15	22	50 Ft.	120

5100 SERIES UNIT HEATER TROUBLE SHOOTING GUIDE

SYMPTOM	POSSIBLE CAUSE(S)	CORRECTIVE ACTION
Thermostat calls for heat, but heater does not function.	<ol style="list-style-type: none"> 1. Open (blown) fuse 2. INCORRECT WIRING 3. Thermal cut-out open, de-energizing heater element and control circuit. 	<ol style="list-style-type: none"> 1. Replace fuses, check for cause. (see Replacement Parts List for fuse size) 2. CHECK WIRING CONNECTIONS 3. Check for the following: <ul style="list-style-type: none"> • Correct supply volts and phase • Correct control wiring (heater control must be thru thermostat control wiring section only). • Power interruption to heater during heater operation. • Restriction of air around heater 1-5 minute fan purge after thermostat off.
Fan motor runs "HOT"	<ol style="list-style-type: none"> 1. Dust accumulation or excessive dirt on motor. 2. Dirt accumulation 3. Motor needs lubrication. 	<ol style="list-style-type: none"> 1. Clean fan motor and casing of grease and oil accumulation. 2. Clean louvers and between heating elements 3. See Maintenance.
Fan motor runs, but no heat.	<ol style="list-style-type: none"> 1. Element contactor not operating correctly. 2. Element fuse blown. 	<ol style="list-style-type: none"> 1. Check wiring for open circuit. Replace contactor if defective 2. Replace fuses, check for cause. (see Replacement Parts List for fuse size)

MAINTENANCE

CAUTION: Make certain that the power source is disconnected before attempting to service or disassemble any component. If the power disconnect is out of the line of sight, lock it in the OPEN position and tag to prevent the application of power.

ELECTRICAL

Once a year inspect the control panel wiring to make certain insulation is intact and all connections are tight. Inspect all heater and relay contacts. If the contacts appear badly pitted or burned, replace the contactor / relay.

CLEANING

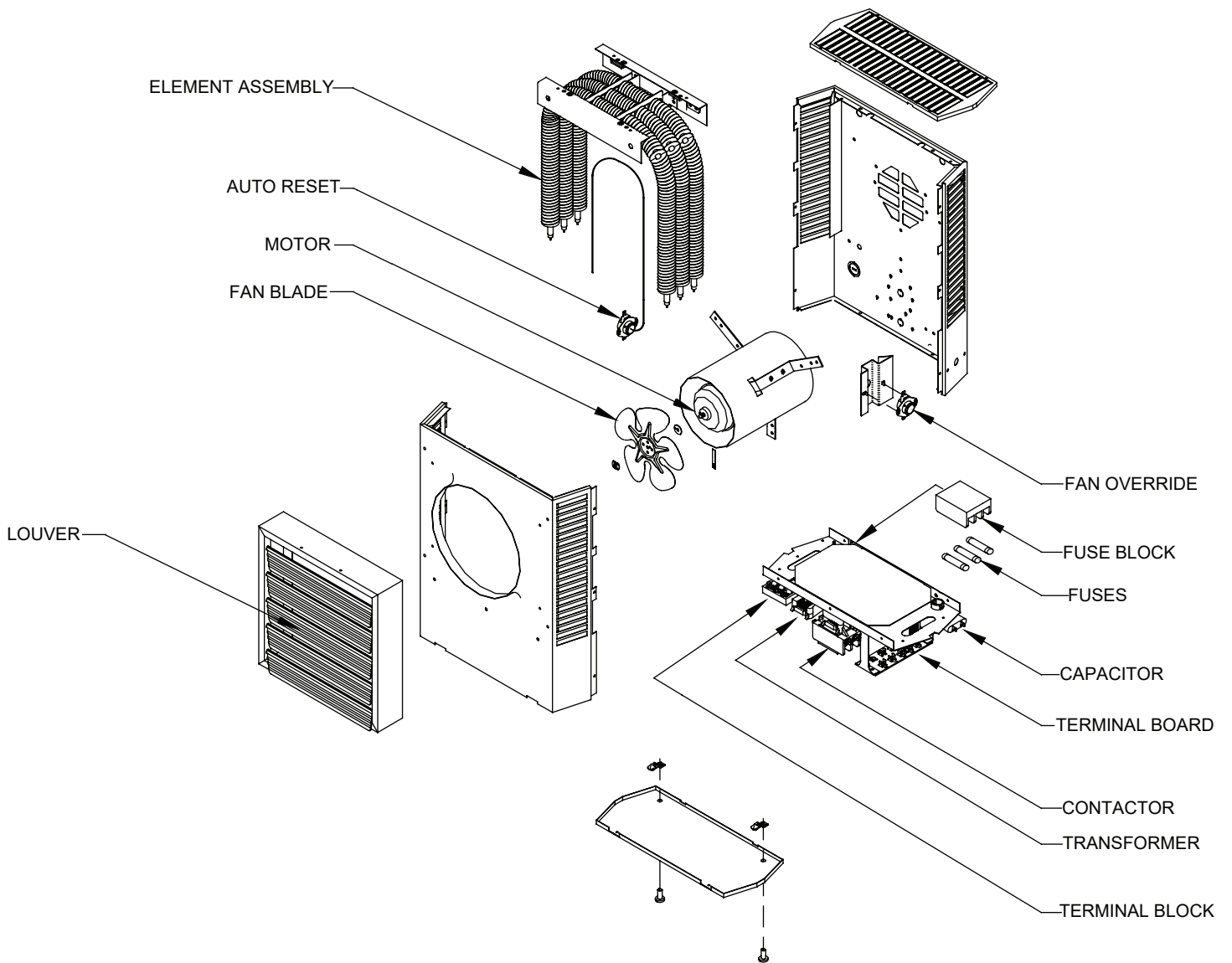
Clean the unit casing, fan and motor once a year. A dirty motor will tend to run hot and eventually will be damaged internally. Any rust spots on the casing should be cleaned and repainted.

LUBRICATION

All units up to 20KW have fan motors that are permanently lubricated so that only occasional cleaning is required. Units above 20KW have fan motors lubricated for 5 years of continuous duty or 10 years of intermittent operations. When required, remove the oil access plug on back of heater at motor intake grill, open oil cap, fill with S.A.E. No. 10 electric motor oil, replace plugs and access plug.

5100 SERIES UNIT HEATER WIRING DIAGRAM SCHEDULE

DIAGRAM NO.	MODEL CODE PREFIX	MODEL CODE SIZE AND CONTROL SYSTEM			
WD5101	F1F-G1G-HF1B	5103	5105		
WD5102	F1F-G1G-HF1B G1G	5103C3 5107C3	5105C3 5110C3		
WD5104	F1F-G1G G1G	5103CA1 5107CA1	5105CA1 5110CA1		
WD5106	F2F-HF2B	5103	5105		
WD5107	F2F-HF2B	5103C3	5105C3		
WD5109	F2F	5103CA1	5105CA1		
WD5110	HF2B	5103CA1	5105CA1		
WD5111	F2F-HF2B	5107C3	5110C3		
WD5113	F2F	5107CA1	5110CA1		
WD5114	HF2B	5107CA1	5110CA1		
WD5138	P3P	5103CA1	5105CA1	5107CA1	
WD5119	F3F-HF3B HF3B	5115C3 5120C3			
WD5121	F3F	5115CA1			
WD5122	HF3B	5115CA1	5120CA1		
WD5125	F3F	5125CA1	5130CA1	5140CA1	5150CA1
WD5126	HF3B	5125CA1	5130CA1	5140CA1	5150CA1
WD5132	P3P	5125CA1	5130CA1		
WD5133	P3P	5140CA1			
WD5135	P3P	5150CA1			
WD5136	U3H	5105CA4	5107CA4	5110CA4	5115CA4
WD5137	U3H	5125CA4	5130CA4		
WD5139	HF3B	5150CA1			
WD5140	P3P, T3T P3P	5125CA1 5140CA1	5130CA1		
WD5141	P3P	5150CA1			
WD5141B	P3P	5150CA2			
WD5142	P3P U3H, T3H	5105CA4N 5115CA4N	5107CA4N 5120CA4N	5110CA4N	
WD5143	U3H	5125CA4N	5130CA4N	5140CA4N	5150CA4N
WD5144	T3T	5140CA1N	5150CA1		



5100 SERIES UNIT HEATER PARTS LIST - CATALOG NUMBERS

HEATER MODEL	MOTOR	ELEMENT ASSEMBLY	AUTOMATIC RESET	FAN OVERRIDE	XMFR	CONTACTOR	POWER TERMINAL BLOCK
F1F5103N 5103NF1F F25103N 5103NF2F HF1B5103N 5103NHF1B	56562-012 56562-012 56562-012 56562-012 56562-017 56562-017	60715-001 60715-001 60715-011 60715-011 60715-002 60715-002	57640-006 57640-006 57640-006 57640-006 57640-006 57640-006	28163-005 28163-005 28163-005 28163-005 28163-005 28163-005			56815-001 56815-001 56815-001 56815-001 56815-001 56815-001
HF2B5103N 5103NHF2B G1G5103N 5103NG1G P3P5103CA1N 5103CAINP3P	56562-017 56562-017 56562-016 56562-016 56562-018 56562-018	60715-012 60715-012 60715-007 60715-007 60715-008 60715-008	57640-006 57640-006 57640-006 57640-006 57640-006 57640-006	28163-005 28163-005 28163-005 28163-005 56811-001 56811-001	60719-006 60719-006	58027-041 58027-041	56815-001 56815-001 56815-001 56815-001 56815-001 56815-001
F1F5105N 5105NF1F F2F5105N 5105NF2F HF1B5105N 5105NHF1B	56562-012 56562-012 56562-012 56562-012 56562-017 56562-017	60715-003 60715-003 60715-004 60715-004 60715-005 60715-005	57640-006 57640-006 57640-006 57640-006 57640-006 57640-006	28163-005 28163-005 28163-005 28163-005 28163-005 28163-005			56815-001 56815-001 56815-001 56815-001 56815-001 56815-001
HF2B5105N 5105NHF2B G1G5105N 5105NG1G P3P5105CA1N 5105CA1NP3P	56562-017 56562-017 56562-016 56562-016 56562-018 56562-018	60715-006 60715-006 60715-009 60715-009 60715-010 60715-010	57640-006 57640-006 57640-006 57640-006 57640-006 57640-006	28163-005 28163-005 28163-005 28163-005 56811-001 56811-001	60719-006 60719-006	58027-041 58027-041	56815-001 56815-001 56816-001 56816-001 56815-001 56815-001
F2F5107CA1L 5107CA1LF2F HF2B5107CA1L 5107CA1LHF2B G1G5107CA1L 5107CA1LG1G	56823-011 56823-011 56823-012 56823-012 56824-002 56824-002	56954-004 56954-004 56954-006 56954-006 56954-001 56954-001	57640-003 57640-003 57640-003 57640-003 57640-003 57640-003	56811-001 56811-001 56811-001 56811-001 56811-001 56811-001	60719-001 60719-001 60719-001 60719-001 60719-005 60719-005	58027-031 58027-031 58027-021 58027-021 58027-021 58027-021	56815-001 56815-001 56816-001 56816-001 56815-001 56815-001
P3P5107CA1N 5107CA1NP3P F2F5110CA1L 5110CA1LF2F HF2B5110CA1L 5110CA1LHF2B	56824-011 56824-011 56823-011 56823-011 56823-012 56823-012	56954-002 56954-002 56954-003 56954-003 56954-004 56954-004	57640-003 57640-003 57640-003 57640-003 57640-003 57640-003	56811-001 56811-001 56811-001 56811-001 56811-001 56811-001	60719-006 60719-006 60719-001 60719-001 60719-001 60719-001	58027-041 58027-041 58027-036 58027-036 58027-036 58027-036	56815-001 56816-001 56816-001 56816-001 56816-001 56816-001
G1G5110CA1L 5110CA1LG1G P3P5110CA1N 5110CA1NP3P F3F5115CA1L 5115CA1LF3F	56824-002 56824-002 56824-011 56824-011 56825-001 56825-001	56954-007 56954-007 56954-008 56954-008 56954-009 56954-009	57640-003 57640-003 57640-003 57640-003 57640-003 57640-003	56811-001 56811-001 56811-001 56811-001 56811-001 56811-001	60719-005 60719-005 60719-006 60719-006 60719-001 60719-001	58027-031 58027-021 58027-041 58027-041 58027-036 58027-036	56816-001 56816-001 56815-001 56815-001 56816-001 56816-001
HF3B5115CA1L 5115CA1LHF3B P3P5115CA1N 5115CA1NP3P HF3B5120CA1L 5120CA1LHF3B	56825-002 56825-002 56825-003 56825-003 56825-002 56825-002	56954-010 56954-010 56954-011 56954-011 56954-012 56954-012	57640-004 57640-004 57640-004 57640-004 57640-001 57640-001	56811-001 56811-001 56811-001 56811-001 56811-003 56811-003	60719-001 60719-001 60719-006 60719-006 60719-001 60719-001	58027-031 58027-031 58027-041 58027-041 58027-036 58027-036	56816-001 56816-001 56815-001 56815-001 56816-001 56816-001
P3P5120CA1N 5120CA1NP3P	56825-003 56825-003	56954-013 56954-013	57640-004 57640-004	56811-003 56811-003	60719-006 60719-006	58027-041 58027-041	56815-001 56815-001

5100 SERIES UNIT HEATER PARTS LIST - CATALOG NUMBERS

HEATER MODEL	MOTOR	ELEMENT ASSEMBLY	AUTO RESET	FAN OVERRIDE	XMFR	S.D. FUSE 6 RQD	S.D. FUSE 2 RQD	CONTACTOR 2 RQD	POWER TERMINAL BLOCK	FAN
F3F5125CA1L 5125CA1LF3F HF3B5125CA1L 5125CA1LHF3B P3P5125CA1 5125CA1NP3P	56943-001 56943-001 56943-002 56943-002 56944-001 56944-001	56954-017 56954-017 56954-018 56954-018 56954-019 56954-019	57640-005 57640-005 57640-005 57640-005 57640-005 57640-005	56811-002 56811-002 56811-002 56811-002 56811-002 56811-002	60719-009 60719-009 60719-009 60719-009 60719-012 60719-012	50836-012 50836-012 50836-012 50836-012 50836-012 50836-012	41280-002 41280-002 41280-007 41280-007 41280-007 41280-007	50378-025 50378-025 50378-025 50378-025 58027-051 58027-051	57097-001 57097-001 57097-001 57097-001 57098-001 57098-001	57112-001 57112-001 57112-001 57112-001 57114-001 57114-001
P3P5120CA1N F3F5130CA1L 5130CA1LF3F	56944-001 56943-001 56943-001	56954-019 56954-020 56954-020	57640-005 57640-005 57640-005	56811-002 56811-002 56811-002	60719-012 60719-009 60719-009	50836-003 50836-003 50836-003	41280-008 41280-008 41280-008	50378-016 50378-025 50378-025	57098-001 57097-001 57097-001	57090-001 57112-001 57112-001
HF3B5130CA1L 5130CA1LHF3B P3P5130CA1N 5130CA1NP3P	56943-002 56943-002 56944-001 56944-001	56954-021 56954-021 56954-022 56954-022	57640-005 57640-005 57640-005 57640-005	56811-002 56811-002 56811-002 56811-002	60719-009 60719-009 60719-012 60719-012	50836-012 50836-012 50836-012 50836-012	41280-002 41280-002 41280-002 41280-002	50378-025 50378-025 50378-016 50378-016	57097-001 57097-001 57098-001 57098-001	57112-001 57112-001 57090-001 57090-001
F3F5140CA1L 5140CA1LF3F HF3B5140CA1L 5140CA1LHF3B	56945-001 56945-001 56945-002 56945-002	56954-023 56954-023 56954-024 56954-024	57640-005 57640-005 57640-005 57640-005	56811-002 56811-002 56811-002 56811-002	60719-009 60719-009 60719-009 60719-009	50836-003 50836-003 50836-003 50836-003	41280-004 41280-004 41280-003 41280-003	50378-025 50378-025 50378-025 50378-025	57097-001 57097-001 57097-001 57097-001	57112-001 57112-001 57112-001 57112-001
P3P5140CA1N 5140CA1NP3P F3F5150CA1L 5150CA1LF3F	56946-001 56946-001 56945-001 56945-001	56954-025 56954-025 56954-026 56954-026	57640-005 57640-005 57640-005 57640-005	56811-002 56811-002 56811-003 56811-003	60719-012 60719-012 60719-009 60719-009	50836-003 50836-003 50836-003 50836-003	41280-005 41280-005 41280-005 41280-005	50378-016 50376-016 50378-034 50378-034	57098-001 57098-001 57097-001 57097-001	57090-001 57090-001 57112-001 57112-001
HF3B5150CA1L 5150CA1LHF3B P3P5150CA1N 5150CA1NP3P	56945-002 56945-002 56946-001 56946-001	56954-027 56954-027 56954-028 56954-028	57640-005 57640-005 57640-005 57640-005	56811-003 56811-003 56811-003 56811-003	60719-009 60719-009 60719-012 60719-012	50836-003 50836-003 57110-001 57110-001	41280-004 41280-004 57111-008 57111-008	50378-025 50378-025 50378-016 50378-016	57097-001 57097-001 57097-001 57097-001	57112-001 57090-001 57090-001 57090-001

KW	FAN BLADE	TERMINAL BOARD	GROUND CONN.	MOTOR CAPACITOR	LOUVER
3.3 - 5	56806-001	56809-001	1458	-	(5) 56986-001
7.5 - 10	50551-002	56809-001	1458	-	(7) 56986-003
15 - 20	56813-001	56809-001	1458	-	(7) 56986-003
25 - 30	57114-001	56809-001	3981	57100-001	(9) 56987-001
40 - 50	57115-001	56809-001	3981	57100-001	(9) 56987-001

**5100 SERIES UNIT HEATER
PARTS LIST - CATALOG NUMBERS - 600 VOLT MODELS**

	U3H5105CA4N	U3H5107CA4N	U3H5110CA4N	U3H5115CA4N	U3H5120CA4N
MOTOR ELEMENT ASS'Y. AUTO RESET LIMIT	56592-017 56954-029 57640-003	56823-012 56954-030 57640-003	56823-012 56954-031 57640-003	56825-002 56954-032 57640-004	56825-002 56954-035 57640-004
FAN OVERRIDE XMR CONTACTOR	56811-001 57641-003 (100VA) 58027-043	56811-001 57641-001 (150VA) 58027-043	56811-001 57641-001 58027-043	56811-001 57641-002 (300VA) 58027-043	56811-003 57641-002 58027-043
POWER TERM. BLK. FAN BLADE TERMINAL BLOCK	56817-001 51554-002 56809-001	56815-001 51554-002 56809-001	56815-001 51554-002 56809-001	56815-001 56813-001 56809-001	56815-001 56813-001 56809-001
GROUND CONN. LOUVER	1458 56986-003 (7)	1458 56986-003 (7)	1458 56986-003 (7)	1458 56986-003 (7)	1458 56986-003 (7)
	U3H5125CA4N	U3H5130CA4N	U3H5140CA4N	U3H5150CA4N	
MOTOR ELEMENT ASS'Y. AUTO RESET LIMIT	56943-002 56954-003 57640-005	56943-002 56954-003 57640-005	56943-002 56954-036 57640-005	56945-002 56954-037 57640-005	
FAN OVERRIDE XMR CONTACTOR	56811-002 57641-001 58027-043 (2)	56811-002 57641-001 58027-043 (2)	56811-002 57641-004 (350VA) 58027-043 (2)	56811-003 57641-004 58027-043 (2)	
POWER TERM. BLK. FAN BLADE TERMINAL BLOCK	57098-001 57114-001 56809-001	57098-001 57114-001 56809-001	57098-001 57115-001 56809-001	57098-001 57115-001 56809-001	
GROUND CONN. LOUVER XFMR PRI FUSE BLK	3981 56986-004 (9) 57643-001	3981 56896-004 (9) 57643-001	3981 56896-004 (9) 57643-001	3981 56896-004 (9) 57643-001	
XFMR PRI FUSE (2) FAN SPEED SWITCH MOTOR CAPACITOR	57644-001 (2) 57112-001 57100-001	57644-001 (2) 57112-001 57100-001	57644-001 (2) 57112-001 57100-001	57644-001 (2) 57112-001 57100-001	
	T3H5105CA4N	T3H5107CA4N	T3H5110CA4N	T3H5115CA4N	T3H5120CA4N
MOTOR ELEMENT ASS'Y. FAN OVERRIDE	56562-017 56954-061 56811-001	56823-012 56954-054 56811-001	56823-012 56954-055 56811-001	56815-002 56954-056 56811-001	56825-002 54929-006 56811-001
XFMR CONTACTOR POWER TERM. BLK.	57641-003 58027-043 56815-001	57641-003 58027-043 56815-001	57641-001 58027-043 56815-001	57641-002 58027-043 56815-001	57641-002 58027-043 56815-001
FAN BLADE TERMINAL BOARD GROUND CONN.	51554-002 56809-001 1458	51554-002 56809-001 1458	51554-002 56809-001 1458	56813-001 56809-001 1458	56813-001 56809-001 1458
LOUVER	56986-003 (7)	56986-003 (7)	56986-003 (7)	56986-003 (7)	56986-003 (7)
	T3T5125CA1N	T3T5130CA1N	T3T5140CA1N	T3T5150CA1N	
MOTOR ELEMENT ASS'Y. AUTO RESET LIMIT	56943-002 56954-057 57640-005	56943-002 56954-058 57640-005	56945-002 56954-059 57640-005	56945-002 56954-060 57640-005	
FAN OVERRIDE XFMR CONTACTOR	56811-002 60719-018 58027-043 (2)	56811-002 60719-018 58027-043 (2)	56811-002 60719-018 58027-043 (2)	56811-002 60719-018 58027-043 (2)	
POWER TERM. BLK FAN BLADE TERMINAL BOARD	57098-001 57114-001 56809-001	57098-001 57114-001 56809-001	57098-001 57114-001 56809-001	57098-001 57114-001 56809-001	
GROUND CONN. LOUVER FAN SPEED SWITCH	3981 56986-004 (9) 57112-001	3981 56986-004 (9) 57112-001	3981 56986-004 (9) 57112-001	3981 56986-004 (9) 57112-001	
MOTOR CAPACITOR	57100-001	57100-001	57100-001	57100-001	

TASKMASTER

5100 SERIES

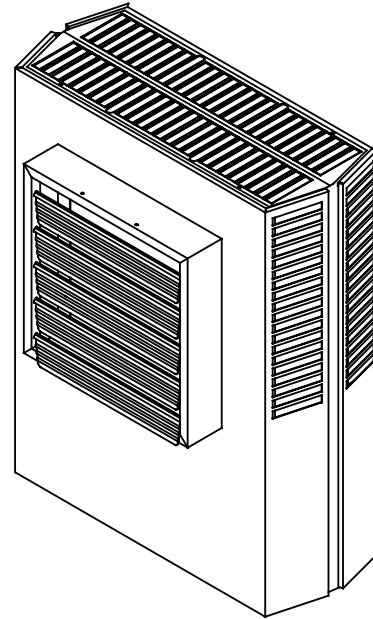
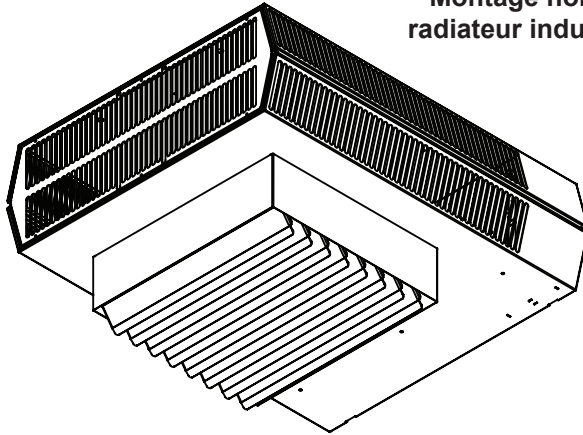
INSTALLATION INSTRUCTIONS & PARTS LIST



TPI Corporation
P.O. Box 4973
Johnson City, TN
37602-4973

America's Comfort Conditioning Company

Montage horizontal ou vertical radiateur industriel et commercial



ATTENTION: Lisez les instructions soigneusement avant de commencer l'installation, la mise en marche ou l'entretien du radiateur taskmaster. Gardez ces instructions pour utilisation ulterieure.

CARACTERISTIQUES

- Radiateur electrique ventilateur, disponible suivant les tensions standards de 208, 240/208, 277, 480 ou de 600 volts.
- Dix puissances de chauffage standard de 3.3 KW/11,260 BTUH jusqu' a 50.0 KW/170, 600 BTUH.
- Les modeles unipolaires de 3.3 jusqu a 10.0 Kw de 240/208 volts peuvent se transformer sur le chantier en modele tripolaire. (Les modeles uipolaires de 3.3, 5.0, 7.5 et 10 Kw de 277 volts ne peuvent etre transformes).
- Le volet interieur specialement concu permet au ventilateur d'appeler l'air uniformement a travers l'element massif en acier.
- Le diffuseur concu vers l'exterieur et les volets montes dirigent plug encore uniformement la propulsion de l'air afin de repondre aux exigences specifiques du montage horizontal ou vertical de l'appareil.
- Supports de montage mur/lafond ou verticaux en option. (comme requis).
- Quatre ecrous soudes sont disposes au dessus et a l'arriere du boitier pour le montage de l'appareil au chantier avec des tiges filetees ou des boulons avec chaine. (visserie fournie par d'autres).
- Diffuseur anemostat ou radial (en option), donnant une propulsion d'air diversifiee lors du montage vertical de l'appareil.
- Instruments de controle varies pour installation sur le chantier. Interrupteur, thermostat, interrupteur du ventilateur pour la saison estivale, thermostat pour recuperation de chaleur. Tous ont leurs conducteurs equipes de serre-fils a lame. (a l'exception de l'interrupteur).
- Tableau de branchement de la filerie de tous les instruments de controle integres, en un seul endroit.
- Circuit de controle standard basse tension de 24 volts sur tous les modeles avec transformateur ou contracteur.
- Boite de controle spacieuse ayant une porte d'accès fermee a l'aide de deux attaches 1/4 de tour pour rendre l'installation facile.

INSTRUCTIONS D'ENDROIT NÉCESSAIRES

Dès que la charge totale de chauffage est calculée, la quantité et la capacité des chauffages d'unité doivent être déterminés. parce qu'un grand nombre de chauffages de capacité basse fournit la distribution de chaleur plus uniforme. Cette approche est recommandée quand la région sera occupée par un relativement grand nombre de personnel sédentaire, (c'est-à-dire travaillant des chaînes de fabrication et aux bancs.)

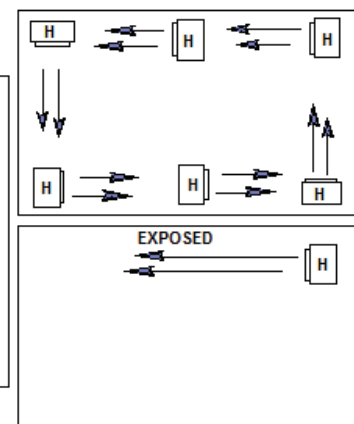
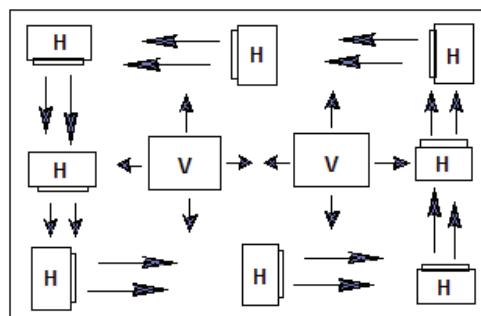
Un grand nombre de plus petits chauffages d'unité de capacité a tendance à prévenir des brouillons chauds, réduit des niveaux bruyants et augmente la diversité de charge pour aider à réduire la demande électrique et les frais d'exploitation.

Dans les magasins où chauffent même la distribution et les températures constantes sont moins importants, un plus petit nombre de hautes unités de capacité peut être utilisé - dans beaucoup de cas réduisant le prix d'installation. Pour maintenir la distribution de chaleur raisonnable et réduire la stratification sévère même dans les régions de baie plus basses, le volume aérien total de l'espace devrait traverser les chauffages d'unité environ trois fois par heure. (Prenez des pieds cubiques totaux et la division par 20 déterminent afin du chauffage total nécessaire l'estimation de CFM.)

Il est important que le voltage évalué de l'équipement chauffant correspond au voltage de réserves. Le voltage de réserves plus du voltage estimé du chauffage peut nuire à l'équipement. Le voltage de réserves plus bas que le voltage de chauffage évalué diminuera la production de chauffage aussi bien que courra le risque de nuire à quelques composantes.

Les chauffages d'unité horizontaux sont recommandés dans les régions de baie basses avec les plafonds de 15 à 18 pieds maximums. Ceux-ci devraient être concentrés le long du mur extérieur ou d'autres régions de la plus grande perte de chaleur; espacé monter un mouvement aérien généralement circulaire, chaque chauffage soutenant le courant atmosphérique de l'autre. Supplémentaire vertical en bas au-dessous des chauffages d'unité avec diffuseurs auxiliaire approprié peut être trouvé pour contrer des pertes de chaleur de plafond (voir le chiffre 1 des graphiques d'Endroit).

Instructions d'Endroit du chiffre 1



Général SAFETY INFORMATION / PRUDENCE :

Suivez tout l'habitant d'origine électrique et les codes de sécurité, aussi bien que le Code Électrique national (NEC) et l'acte de Santé et de Sécurité du Métier (OSHA).

Pour éviter le choc électrique possible, soyez sûrs que le courant électrique est éteint au changement principal avant de télégraphier ou assurer l'entretien de l'unité.

Si le pouvoir débranche n'est pas intrinsèque et est hors de vue, la serrure cela dans la position ouverte et l'étiquette pour prévenir l'application inattendue de pouvoir avant d'exécuter n'importe quel service ou maintenance de l'unité.

L'unité quand installé doit être électriquement fondée conformément à la pratique d'industrie Codée et standard Électrique nationale

Vérifiez que la source de pouvoir conforme aux exigences de votre équipement. Voir la Table 2 sur la page 6 pour la grandeur de circuit et le fil

Vérifiez le voltage de chauffage et la phase en estimation de l'étiquette pour confirmer qu'il correspond aux réserves de service électriques.

Les schémas de connexions du chauffage et des connexions de réserves sont attachés en permanence à l'intérieur de la bouche d'accès de chauffage. Tous les terminus sont codés conformément au schéma de connexions. L'installation électrique auxiliaire est montrée sur le schéma de connexions d'unité et la littérature de soutien.

Le chauffage doit être monté au moins 7' au-dessus de l'étage pour prévenir le contact accidentel avec la lame de fan qui pourrait provoquer la blessure. Installez l'unité ainsi il n'y a aucune obstruction pour la consommation ou le renvoi. Maintenez des déblayages comme montré sur la Table 1, 2, la Figure 1 et 2.

Le mur/plafond montant la structure et ancrant des provisions doit être sur la force suffisante pour soutenir le poids combiné du chauffage et du support de fixation.

PRINCIPES D'OPÉRATION

Sur une demande de la chaleur du niveau d'étage ou de l'unité est monté le thermostat auxiliaire optionnel, le moteur de fan d'unité et les éléments chauffants seront stimulés et rester SUR jusqu'au cadre de portées de température de thermostat; auquel chronomètrent les éléments chauffants sera deenergized.

Le moteur de fan continuera à courir et purger le chauffage casing de la chaleur restante jusqu'au cadre de fan ne passent outre est atteint, alors le moteur de fan sera deenergized.

Car ces unités avec une usine ont installé deux changement de fan de vitesse (25-50KW), l'unité comme expédié de l'usine est montrée à la vitesse "basse". L'option de client pour montrer "à la haute" vitesse. Pour ces unités disponibles avec les circuits subdivisés, le deux thermostat de stade auxiliaire la volonté (optionnelle), sur une demande de la chaleur, stimulent le moteur de fan et l'étape première chauffant l'élément. Si la température continue à tomber, le thermostat stimulera le deuxième stade chauffant l'élément.

Sur une augmentation dans les conditions spatiales vers le cadre du thermostat, les deux stades d'éléments chauffants seront deenergized dans l'ordre contraire.

Le moteur de fan continuera à courir et purger le chauffage casing de la chaleur restante jusqu'au cadre de fan ne passent outre est atteint, alors le moteur de fan sera deenergized.

L'unité auxiliaire est montée le thermostat de stratification stimulera le moteur de fan de chauffage d'unité sur une augmentation dans température au-dessus de son cadre.

Quand l'unité est montée des fins de thermostat de stratification sur une augmentation de température et en même temps le thermostat d'étage demande la chaleur, le moteur sera stimulé tout de suite et l'élément chauffant sera stimulé, comme auparavant décrit.

La sécurité de reconstruction automatique la haute limite ira faire deenergize les éléments chauffants et contrôler des circuits devrait la température excéder le cadre de cet artifice. La sécurité de fan passe outre stimulera le moteur de fan n'importe quel temps le cadre de cet artifice est excédé afin de purger le chauffage casing de l'excès la chaleur restante.

Quand le changement de fan auxiliaire est placé dans le SUR la position (pour la circulation aérienne d'été), le moteur de fan de chauffage d'unité sera stimulé.

NOTEZ : le thermostat mural doit être mis AU de la position pendant ce mode d'action (les unités avec contactors).

Pour ces thermostats auxiliaires équipés avec un changement de fan intégrant, placez le changement dans la CHALEUR, ou la position D'AUTO pour l'opération du fan et des éléments qui seront alors sous contrôle du thermostat comme décrit ci-dessus.

Quand le changement est placé dans LE de la position, l'unité sera deenergized. Quand le changement est placé dans la position de FAN, les éléments seront deenergized et le fan sera tout de suite stimulé.

UNITÉS DE RENVOI VERTICALES - DESSINS AÉRIENS

USED ON	MAX MTG. HEIGHT	A	B	STOCK NO.	MAX MTG. HEIGHT	A	MAX MTG. HEIGHT	A	STOCK NO.	STOCK NO.	MAX MTG. HEIGHT			
											45°		OPEN	
3.3 & 5.0 Kw	9	20	10	STD	9	15	--	--	N/A	N/A	--	--	--	--
7.5 & 10.0 Kw	12	40	22	STD	12	30	10	30	AD5120	RD5120	0	14	36	30
15.0 & 20.0 Kw	18	52	30	STD	18	40	15	38	AD5120	RD5120	14	21	42	35
25.0 & 30.0 Kw	22	75	42	STD	22	55	17	50	AD5150	RD5150	20	30	62	44
40.0 & 50.0 Kw	24	84	47	STD	24	64	20	60	AD5150	RD5150	18	28	68	54

STD = Standard N/A = Not Applicable

Diffusers optionnels prêtent l'adaptabilité de dessin aérienne ajoutée à l'individu vertical font en bas voler des installations comme montré dans le susdit illustrations.

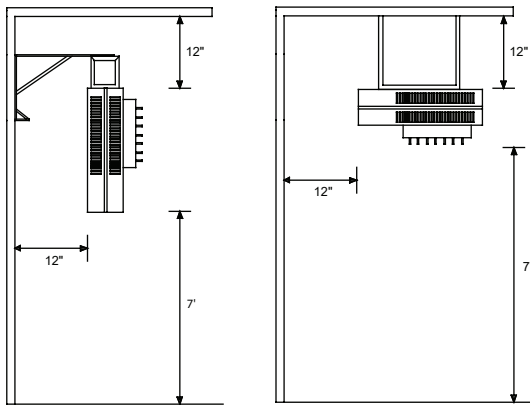
INSTRUCTIONS D'INSTALLATION TYRAN - 5100 CHAUFFAGE D'UNITÉ DE SÉRIE

ATTENTION : LISEZ L'INSTRUCTION SOIGNEUSEMENT

Tous les chauffages d'unités électriques sont expédiés complètement rassemblés. L'installation inclut l'accrochage de l'unité, en montant les accessoires intégrés et lointains, en télégraphiant des artifices de contrôle optionnels et de l'installation électrique électrique à l'unité.

Pour assurer la livraison nécessaire de l'air chauffé aux régions désirées, suivez la hauteur montante et les tables de projection aériennes incluent dans ces instructions. Suivez la Figure 1 et 2 pour les déblayages de plafond et de mur minimaux.

AUTORISATION
de montage



La FIGUE 1
RE NVOI HORIZONTAL

FIG. 2
R EN VOI VERT ICAL

La structure de plafond et/ou de mur doit être suffisante de soutenir le poids combiné du chauffage et n'importe quel support de fixation et les accessoires.

Soyez sûrs que la source de pouvoir est deenergized avant le fait d'installer le chauffage. Vérifiez le voltage de chauffage et la phase énumérée sur la bande de date de chauffage sur le revers d'unité pour vous assurer qu'ils sont le même comme le service électrique fourni.

De certaines unités sont convertable de simple à trois service de phase. Suivez des instructions notées sur le schéma de connexions d'unité pour cette conversion. Les unités qui portent un voltage double évaluant (HF) exigent des changements d'installation électrique spécifiques en convertissant de 240 au service de 208 volts fourni.

Ouvrez le comité d'approche (2 fermetures de tour de 1/4).

Enlevez le knock-out () désiré sur le revers du chauffage.

Installez n'importe quels accessoires optionnels après leurs instructions d'installation avant l'unité montante. Après le schéma de connexions d'unité/complce correct, raccordez l'alimentation électrique, la terre électrique et les accessoires aux terminus corrects ou aux points de résiliation en utilisant des pratiques acceptées.

VOLUME DE BOÎTE DE DÉRIVATION NET		
Kw	POUCES CUBIQUES	CC
3.3-5	74.4	1219
7.5-10	198	3245
15.0-20	198	3245
25.0-50	341	5592

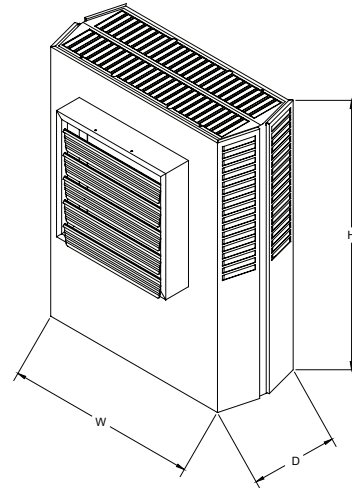
Les chauffages peuvent être montés dans la configuration de renvoi aérienne horizontale ou verticale en utilisant l'équipement montant auxiliaire fourni optionnel d'usine ou en utilisant l'équipement de matériel spécial fourni par d'autres.

Après que l'installation est complète, remplacer le comité d'approche.

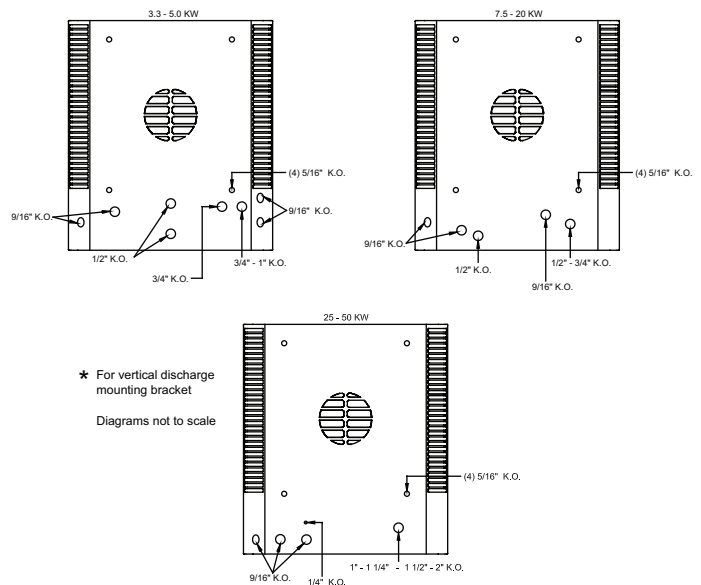
Mettez les commandes (le thermostat, le changement) à leur contrôle désiré montent et appliquent le pouvoir de l'unité.

Vérifiez l'opération correcte.

DIMENSIONS



DIMENSIONS (POUCES)			
Le Kw	H	W	D
3.3-5.0	17-3/4	14-15/32	6-1/2
7.5-10	24-5/16	21-1/2	6-1/2
15.0-20	28-11/16	21-1/2	6-1/2
25.0-50	34	29-1/4	10-1/16



INSTRUCTIONS D'INSTALLATION LE TYRAN - 5100 CHAUFFAGE D'UNITÉ DE SÉRIE (la partie 2)

HORIZONTAL - LE RENVOI AÉRIEN MONTANT MONTRÉ DANS : LA FIGURE 5 ET 6

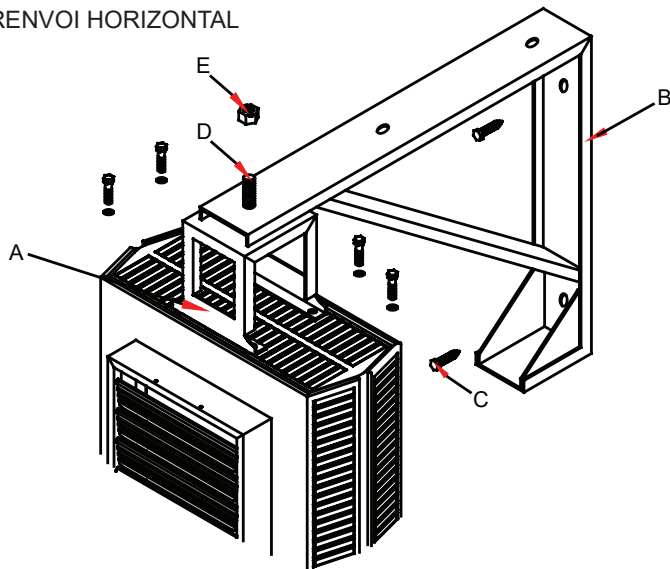
Pivotez les parenthèses de cintre peuvent être utilisées pour suspendre des chauffages d'unité du mur (la figure 5) ou du plafond (la figure 6). Faites partie le cintre basent "A" au haut de chauffage avec quatre 5/16 X 18 vis de bonnets et lockwashers (fourni dans l'enveloppe).

Attachez la charpente de cintre principale "B" au mur ou le plafond dans l'endroit désiré utilisant le décalage visse "C" ou d'autres attachements convenables (fourni par d'autres).

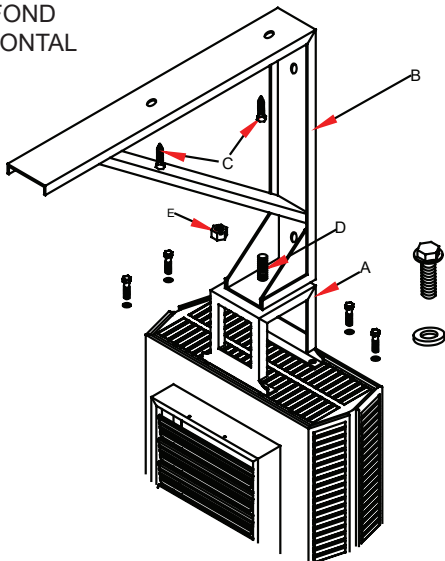
Le chauffage d'ascenseur dans la position insérant le clou "D" par le trou dans le cintre principal encadre et attache la noix de serrure "fourni dans l'enveloppe) "E" serrant à dans deux tours d'être serré.

Faites pivoter le chauffage à la position désirée, serrez la noix de serrure.

Le chiffre 5 MONT MURAL RENOI HORIZONTAL



Le chiffre 6 MONT DE PLAFOND RENOI HORIZONTAL

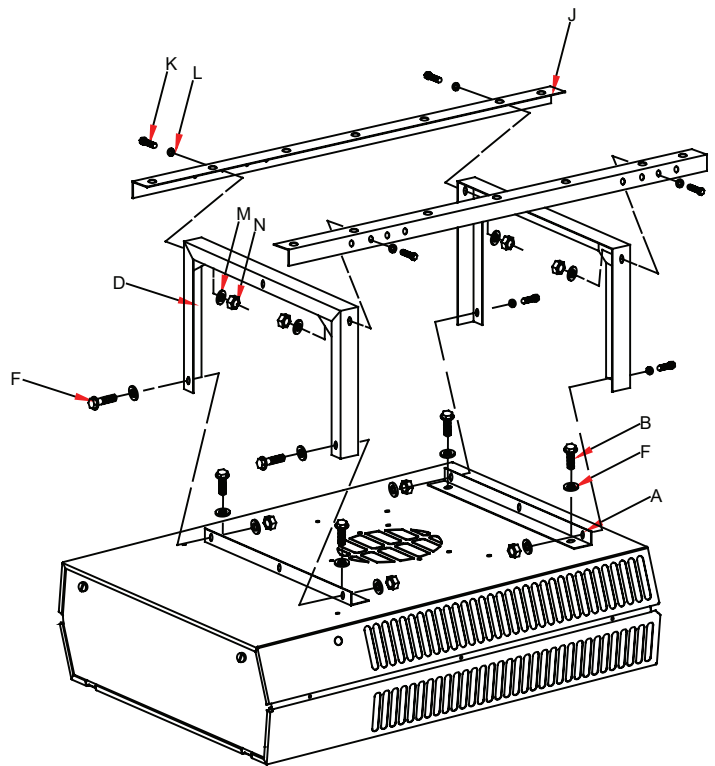


VERTICAL - LE RENVOI AÉRIEN MONTANT MONTRÉ DANS : LA FIGURE 7

Attachez des crochets courts "A" au revers de chauffage avec quatre 5/16 X 18 capscrews "B", lockwashers "F". Soyez sûrs la jambe verticale de haut de visage de crochets et de fond de chauffage.

Faites partie inversé U encadre "D" aux crochets courts avec quatre 5/16 X 18 capscrews "K", les machines à laver "L", lockwashers "M" et les noix "N".

Le chiffre 7 MONT DE PLAFOND RENOI VERTICAL



NOTEZ : en montant le chauffage en utilisant 5/16" toute la baguette de fil (par d'autres) ne vissent pas la baguette plus que 1/2" au-delà de l'intérieur du cas.